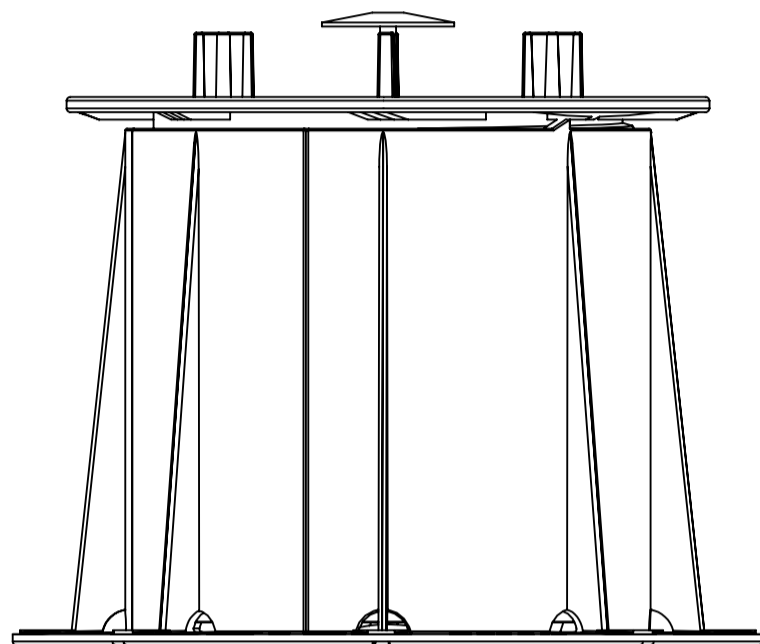




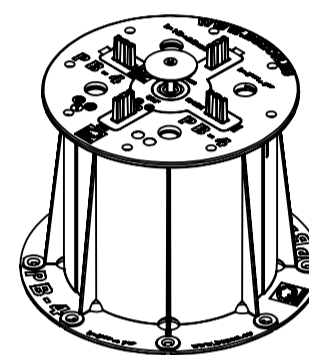
Buzon UK Ltd  
Unit 6  
Teddington Business Park  
Station Road  
Teddington  
TW11 9BQ

Scale :1:2

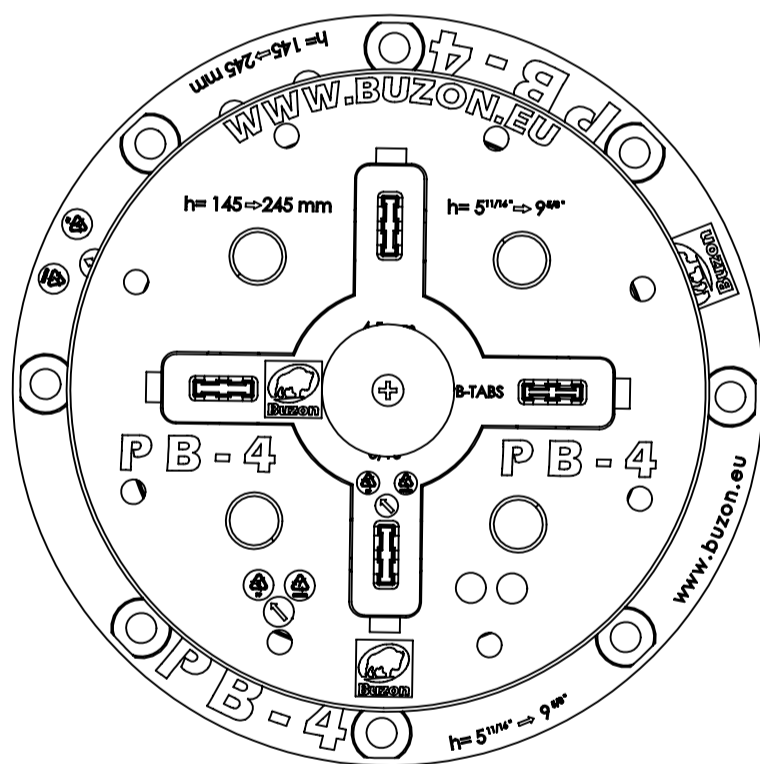
**PB-4 + PB-TABS-4.5MM  
+ PB-KIT-1 + WASHER stainless steel**  
FOR 20 MM THICKNESS GRES-CERAM PORCELAIN TILES ONLY



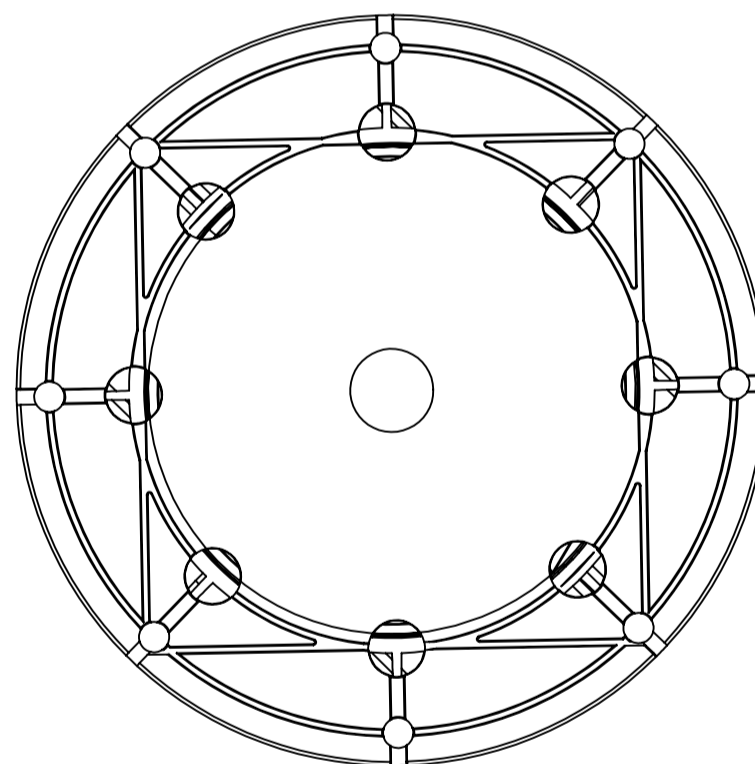
FRONT VIEW



ISOMETRIC VIEW scale :1:5



TOP VIEW



BOTTOM VIEW

**SPECIFICATIONS:**

**TRACTION TEST:** 50Kg/490N/110lbf/\*TEST AVAILABLE ON REQUEST

**BUZON SECURITY VALUE :** DIVIDE THE LOAD INDICATED BY 2 = 25Kg/245N/55lbf

**PB-4:** REFERRING TO TECHNICAL DATA SHEET.

**PB-TABS-4,5MM :** REFERRING TO TECHNICAL DATA SHEET.

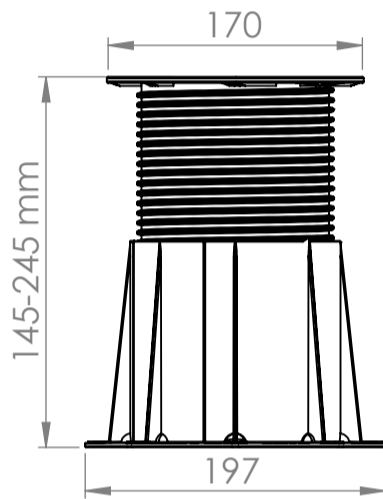
**PB-KIT-1 + WASHER stainless steel:** REFERRING TO TECHNICAL DATA SHEET.

**TECHNICAL INFORMATION:** REFERRING TO TECHNICAL DATA SHEET.

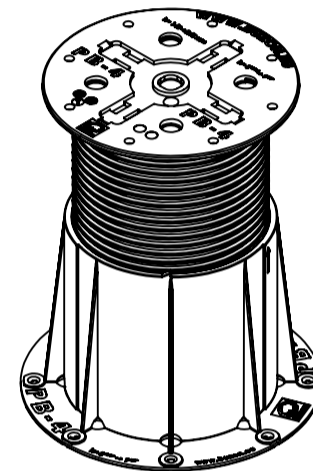
**NOTES:**

1. INSTALLATION TO BE COMPLETED IN ACCORDANCE WITH MANUFACTURER'S SPECIFICATIONS.
2. SCALE DRAWING.
3. THIS DRAWING IS INTENDED FOR USE BY ARCHITECTS, ENGINEERS, CONTRACTORS, CONSULTANTS AND DESIGN PROFESSIONALS FOR PLANNING PURPOSES ONLY. THIS DRAWING MAY NOT BE USED FOR CONSTRUCTION.
4. ALL INFORMATION CONTAINED HEREIN WAS CURRENT AT THE TIME OF DEVELOPMENT, BUT MUST BE REVIEWED AND APPROVED BY THE PRODUCT MANUFACTURER TO BE CONSIDERED ACCURATE.

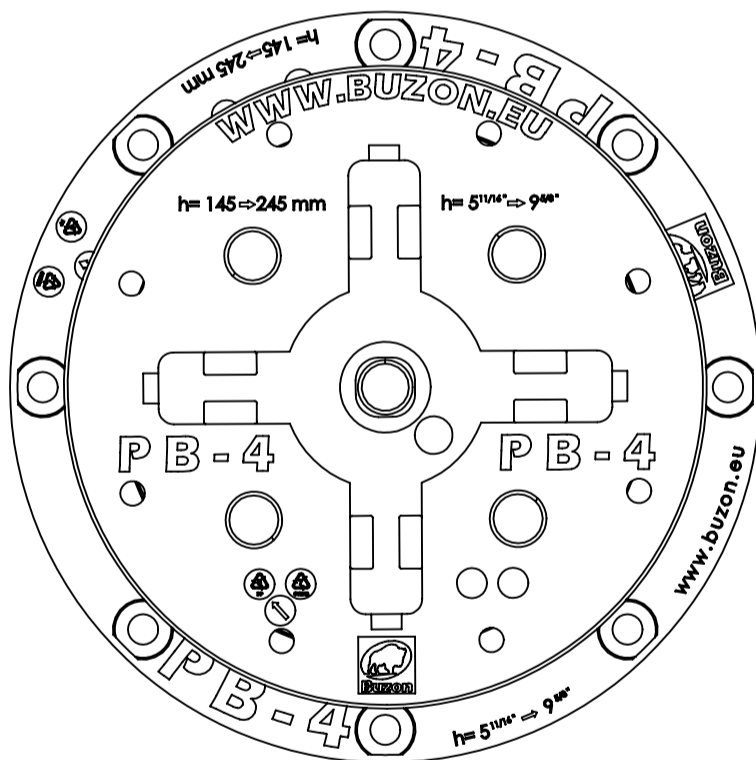
## PB-4--145-245mm



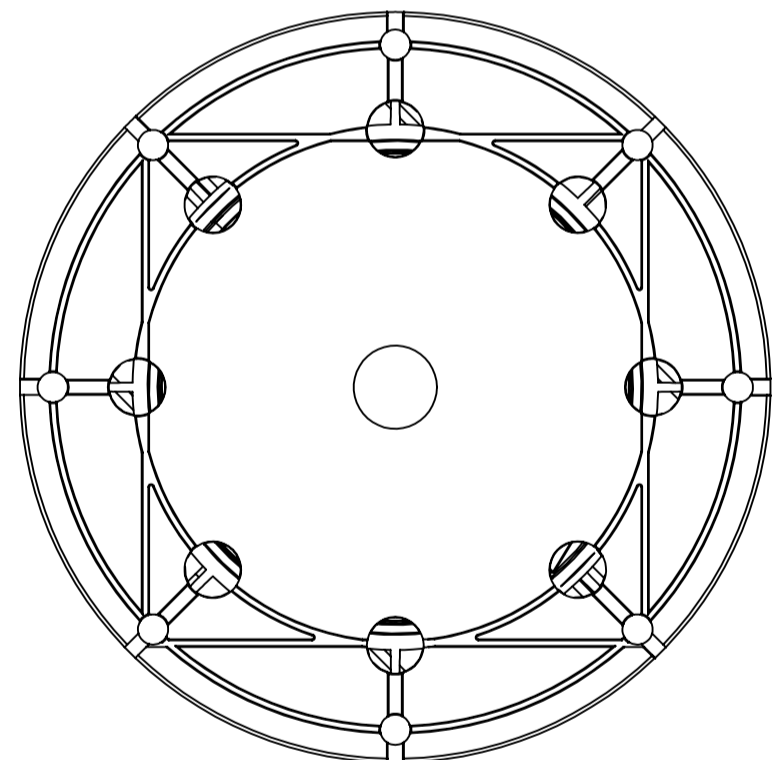
FRONT VIEW scale :1:5



ISOMETRIC VIEW scale :1:5



TOP VIEW



BOTTOM VIEW

**SPECIFICATION:**

**ADJUSTABLE HEIGHT:** ADJUSTABLE HEIGHT FROM 145 MM TO 245 MM UNINTERRUPTED.  
WITH ADDITION OF A 0 TO 5% BC-PH5 SLOPE CORRECTOR, ADJUSTABLE FROM 157 TO 257 MM.

**COMPOSITION:** THE PB-4 IS COMPOSED OF 2 PIECES (HEAD + BASE).

**DIMENSIONS:** HEAD = DIAMETER 170 MM, INSTALLATION SURFACE 227 CM<sup>2</sup>.  
BASE = DIAMETER 197 MM, GROUND SURFACE 305 CM<sup>2</sup>.

FULL WATER DRAINAGE SYSTEM.

**MANUFACTURE:** INJECTION MOULDING, >PP<, TOLERANCE MEASUREMENT = ± 1MM.

**TECHNICAL INFORMATION:** REFERRING TO TECHNICAL DATA SHEET.

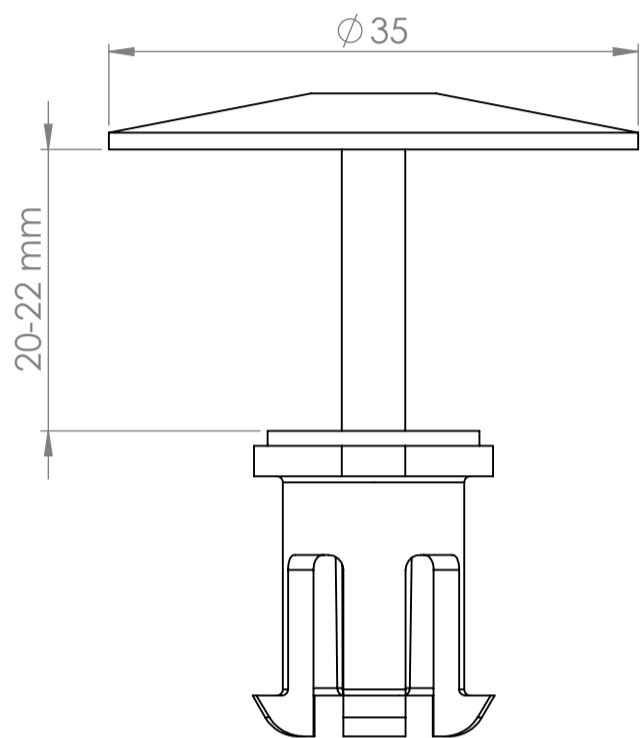
**NOTES:**

1. INSTALLATION TO BE COMPLETED IN ACCORDANCE WITH MANUFACTURER'S SPECIFICATIONS.
2. SCALE DRAWING.
3. THIS DRAWING IS INTENDED FOR USE BY ARCHITECTS, ENGINEERS, CONTRACTORS, CONSULTANTS AND DESIGN PROFESSIONALS FOR PLANNING PURPOSES ONLY. THIS DRAWING MAY NOT BE USED FOR CONSTRUCTION.
4. ALL INFORMATION CONTAINED HEREIN WAS CURRENT AT THE TIME OF DEVELOPMENT, BUT MUST BE REVIEWED AND APPROVED BY THE PRODUCT MANUFACTURER TO BE CONSIDERED ACCURATE.

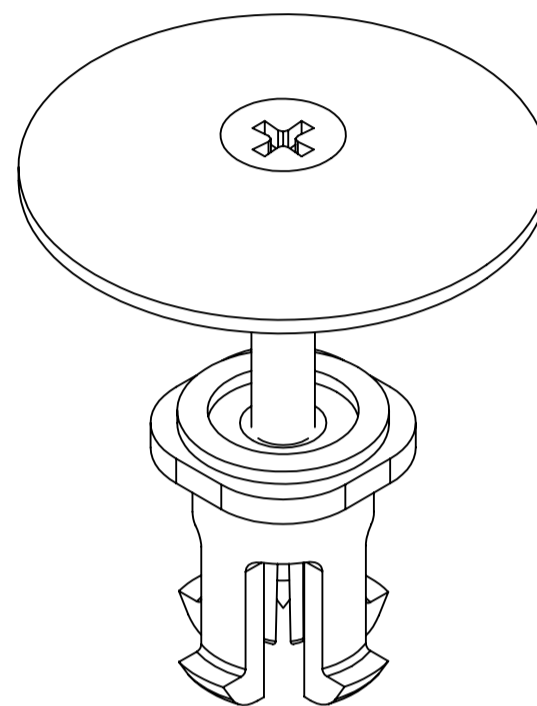


Scale :2:1

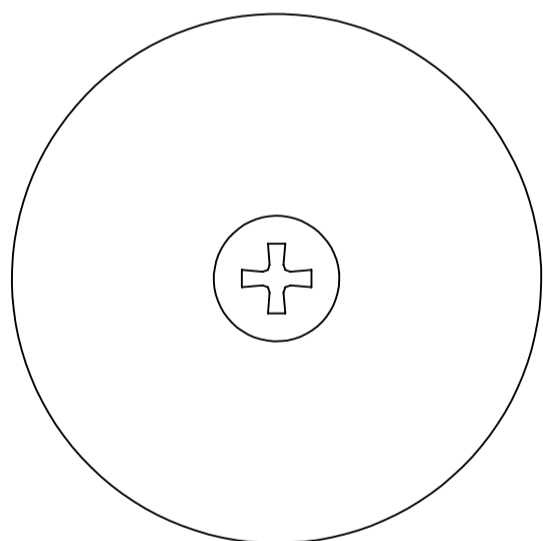
## PB-KIT-1 + WASHER Ø 35 mm stainless steel FOR 20 MM THICKNESS GRES-CERAM PORCELAIN TILES ONLY



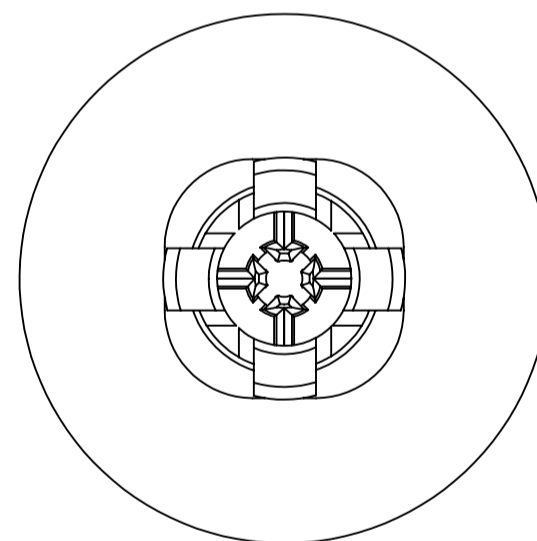
FRONT VIEW



ISOMETRIC VIEW



TOP VIEW



BOTTOM VIEW

### **SPECIFICATION:**

**TRACTION TEST:** 50Kg/490N/110lbf/\*TEST AVAILABLE ON REQUEST

**BUZON SECURITY VALUE :** DIVIDE THE LOAD INDICATED BY 2 = 25Kg/245N/55lbf

**APPLICATION:** APPLICABLE FROM PB-01 TO PB-11,  
FOR 20 MM THICKNESS GRES-CERAM PORCELAIN TILES ONLY.

**COMPOSITION:** THE PB-KIT-WR IS COMPOSED OF 3 PIECE :

1. PB-KIT-1
2. SELF-TAPPING SCREW, WURTH N°012724245, STAINLESS STEEL A4, Ø = 4,2 MM, L = 45 MM
3. WASHER Ø 35 mm, STAINLESS STEEL 316.

FULL WATER DRAINAGE SYSTEM.

**TECHNICAL INFORMATION:** REFERRING TO TECHNICAL DATA SHEET.

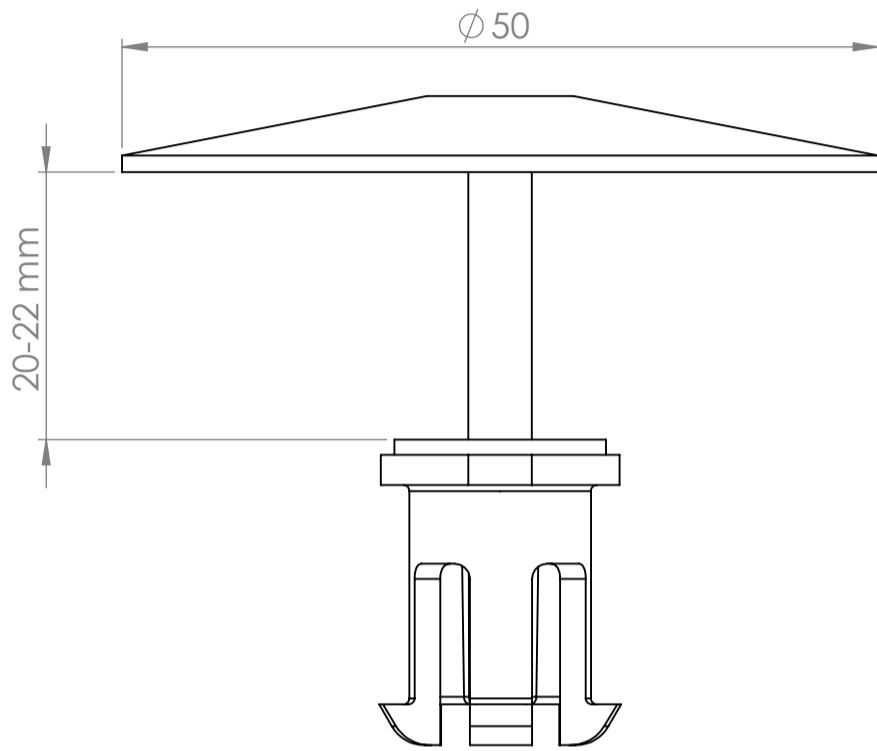
### **NOTES:**

1. INSTALLATION TO BE COMPLETED IN ACCORDANCE WITH MANUFACTURER'S SPECIFICATIONS.
2. SCALE DRAWING.
3. THIS DRAWING IS INTENDED FOR USE BY ARCHITECTS, ENGINEERS, CONTRACTORS, CONSULTANTS AND DESIGN PROFESSIONALS FOR PLANNING PURPOSES ONLY. THIS DRAWING MAY NOT BE USED FOR CONSTRUCTION.
4. ALL INFORMATION CONTAINED HEREIN WAS CURRENT AT THE TIME OF DEVELOPMENT, BUT MUST BE REVIEWED AND APPROVED BY THE PRODUCT MANUFACTURER TO BE CONSIDERED ACCURATE.

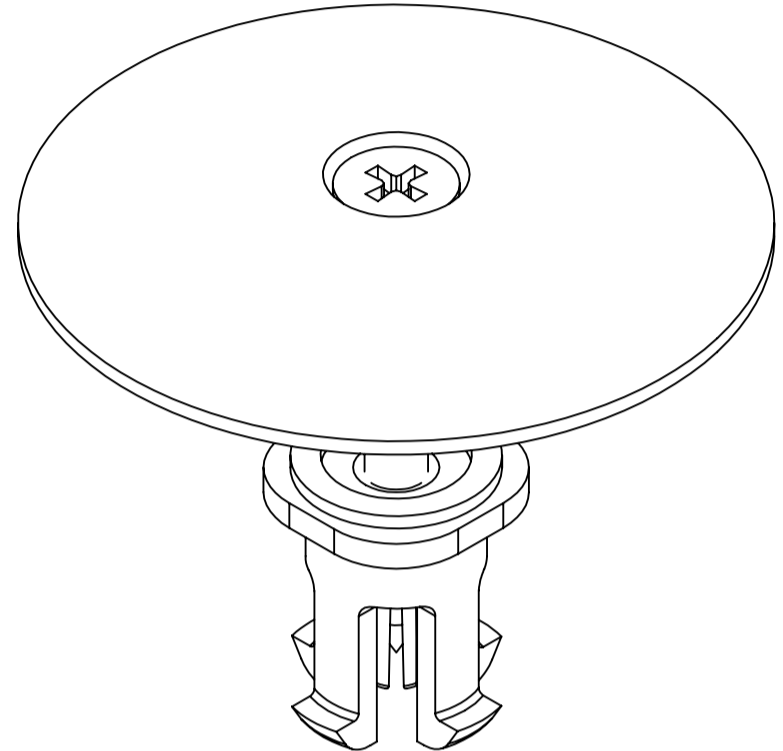


Scale :2:1

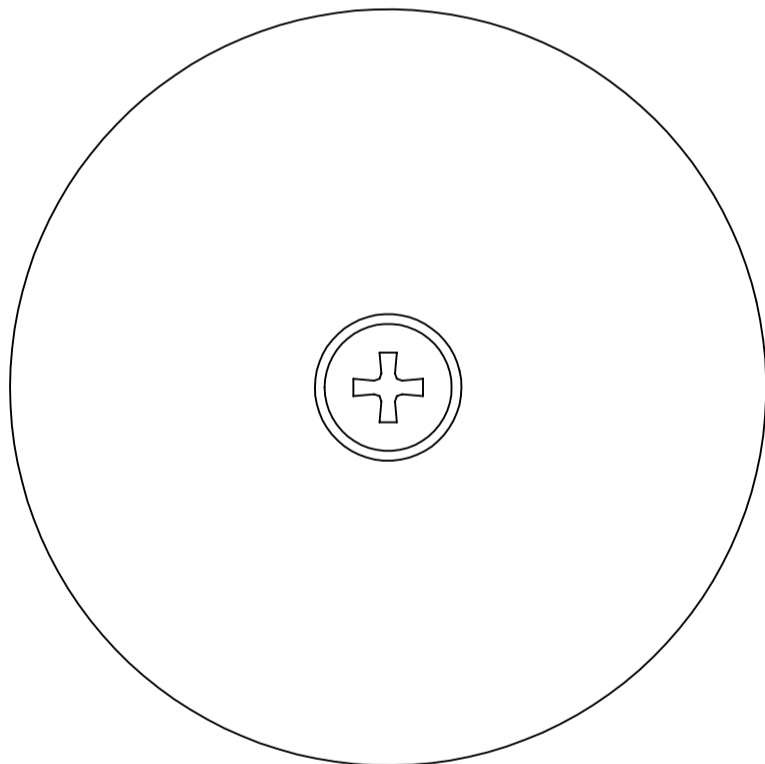
## PB-KIT-1 + WASHER Ø 50 mm stainless steel FOR 20 MM THICKNESS GRES-CERAM PORCELAIN TILES ONLY



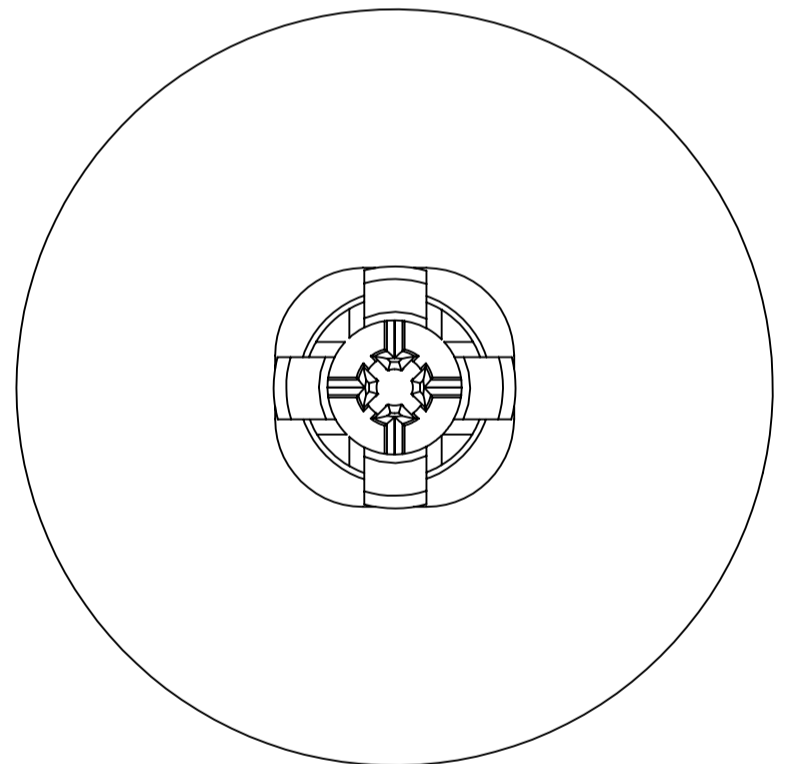
FRONT VIEW



ISOMETRIC VIEW



TOP VIEW



BOTTOM VIEW

### **SPECIFICATION:**

**TRACTION TEST:** 50Kg/490N/110lbf/\*TEST AVAILABLE ON REQUEST

**BUZON SECURITY VALUE :** DIVIDE THE LOAD INDICATED BY 2 = 25Kg/245N/55lbf

**APPLICATION:** APPLICABLE FROM PB-01 TO PB-11,  
FOR 20 MM THICKNESS GRES-CERAM PORCELAIN TILES ONLY.

**COMPOSITION:** THE PB-KIT-WR IS COMPOSED OF 3 PIECE :

1. PB-KIT-1
2. SELF-TAPPING SCREW, WURTH N°012724245, STAINLESS STEEL A4, Ø = 4,2 MM, L = 45 MM
3. WASHER Ø 50 mm, STAINLESS STEEL 316.

FULL WATER DRAINAGE SYSTEM.

**TECHNICAL INFORMATION:** REFERRING TO TECHNICAL DATA SHEET.

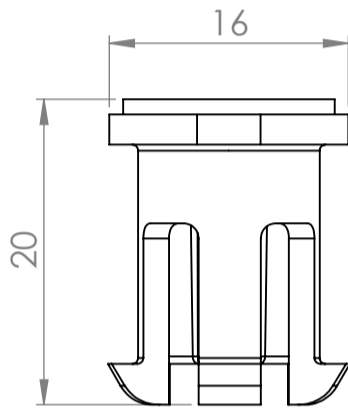
### **NOTES:**

1. INSTALLATION TO BE COMPLETED IN ACCORDANCE WITH MANUFACTURER'S SPECIFICATIONS.
2. SCALE DRAWING.
3. THIS DRAWING IS INTENDED FOR USE BY ARCHITECTS, ENGINEERS, CONTRACTORS, CONSULTANTS AND DESIGN PROFESSIONALS FOR PLANNING PURPOSES ONLY. THIS DRAWING MAY NOT BE USED FOR CONSTRUCTION.
4. ALL INFORMATION CONTAINED HEREIN WAS CURRENT AT THE TIME OF DEVELOPMENT, BUT MUST BE REVIEWED AND APPROVED BY THE PRODUCT MANUFACTURER TO BE CONSIDERED ACCURATE.

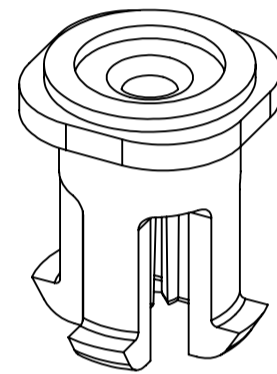


Scale :2:1

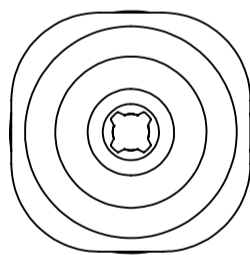
## PB-KIT-1



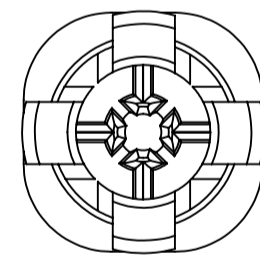
FRONT VIEW



ISOMETRIC VIEW



TOP VIEW



BOTTOM VIEW

**SPECIFICATION:**

**TRACTION TEST:** 50Kg/490N/110lbf/\*TEST AVAILABLE ON REQUEST

**BUZON SECURITY VALUE :** DIVIDE THE LOAD INDICATED BY 2 = 25Kg/245N/55lbf

**APPLICATION:** APPLICABLE FROM PB-01 TO PB-11.

**COMPOSITION:** THE PB-KIT-1 IS COMPOSED OF 1 PIECE.

FULL WATER DRAINAGE SYSTEM.

**TECHNICAL INFORMATION:** REFERRING TO TECHNICAL DATA SHEET.

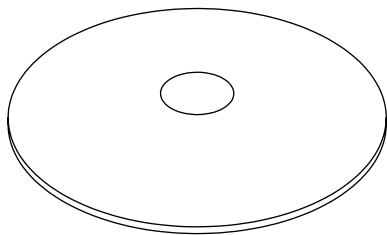
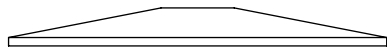
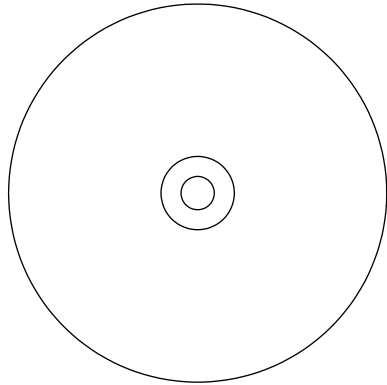
**NOTES:**

1. INSTALLATION TO BE COMPLETED IN ACCORDANCE WITH MANUFACTURER'S SPECIFICATIONS.
2. SCALE DRAWING.
3. THIS DRAWING IS INTENDED FOR USE BY ARCHITECTS, ENGINEERS, CONTRACTORS, CONSULTANTS AND DESIGN PROFESSIONALS FOR PLANNING PURPOSES ONLY. THIS DRAWING MAY NOT BE USED FOR CONSTRUCTION.
4. ALL INFORMATION CONTAINED HEREIN WAS CURRENT AT THE TIME OF DEVELOPMENT, BUT MUST BE REVIEWED AND APPROVED BY THE PRODUCT MANUFACTURER TO BE CONSIDERED ACCURATE.

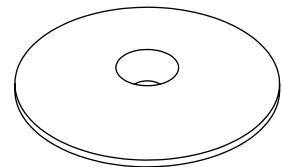
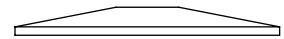
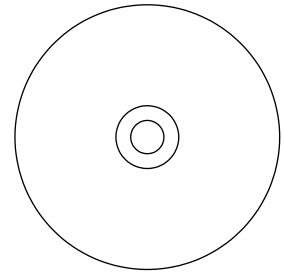
# Datasheet WR

## washer stainless steel

50 mm



35 mm



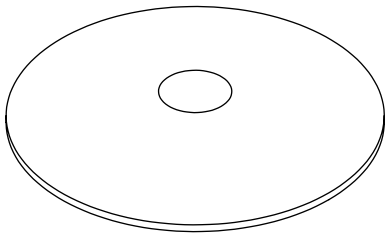
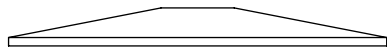
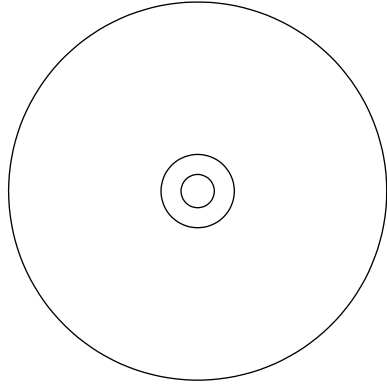
### Characteristics

Material	Stainless steel 316 (A4)
Dimensions	Ø50 x h3.7 mm Ø35 x h3.7 mm
Colour	Natural stainless steel
Weight	Ø 50 mm 17gr Ø 35 mm 9 gr
E-modulus	ca. 180000 N/mm <sup>2</sup>

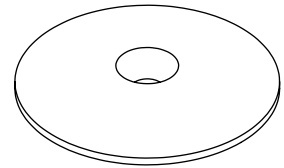
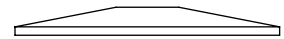
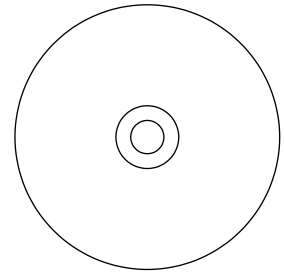
# Datasheet

## WR washer POM

50 mm



35 mm

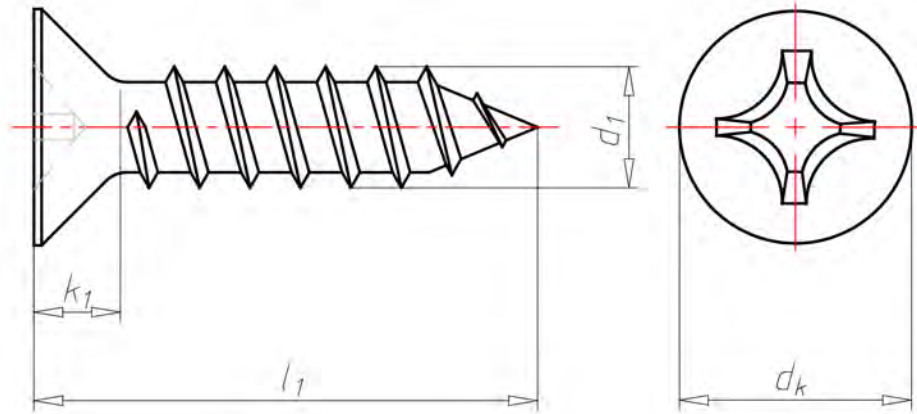


### Characteristics

Material	POM
Dimensions	Ø50 x h4.8mm Ø35 x h4.9mm
Colour	Differents colors
Weight	Ø 50 mm 7gr Ø 35 mm 5gr

# Datasheet

## Screw WR washer



### Characteristics

Art N° Wuerth	012724245
Material	Stainless steel (A4)
Colour	Natural stainless steel
Dimensions	$d_1 = 4.2\text{mm}$ $l_1 = 45\text{ mm}$ $k_1 = 2.6\text{mm}$ $d_k = 8.4\text{mm}$





# PB-KIT-WR

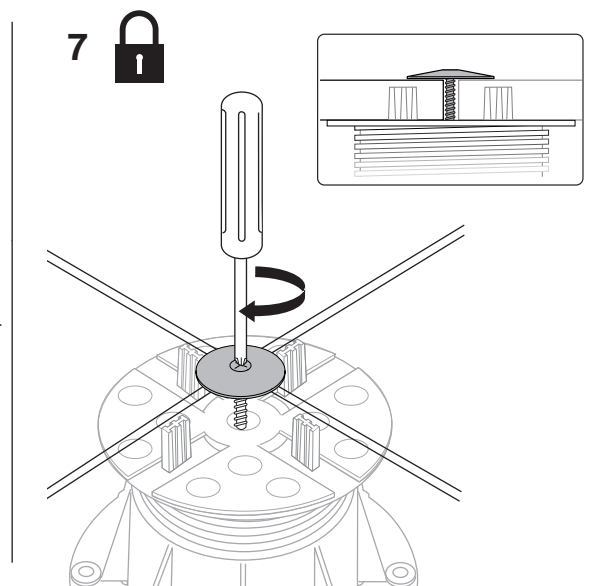
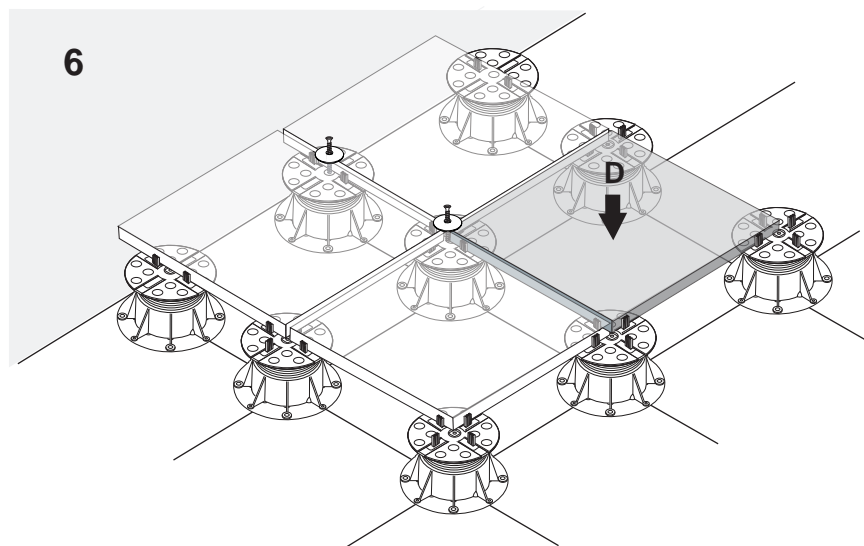
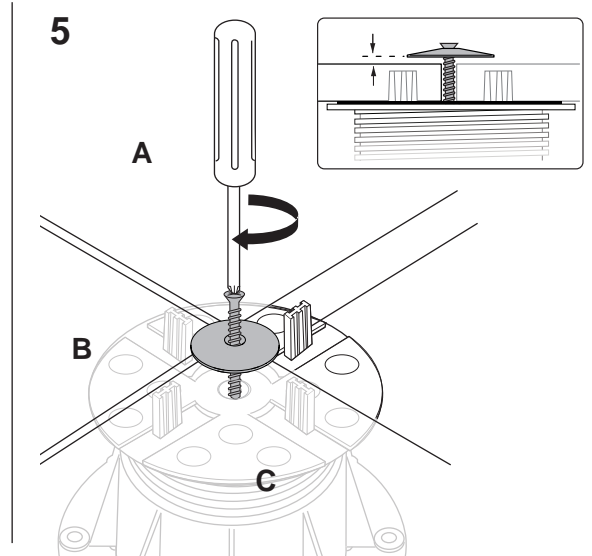
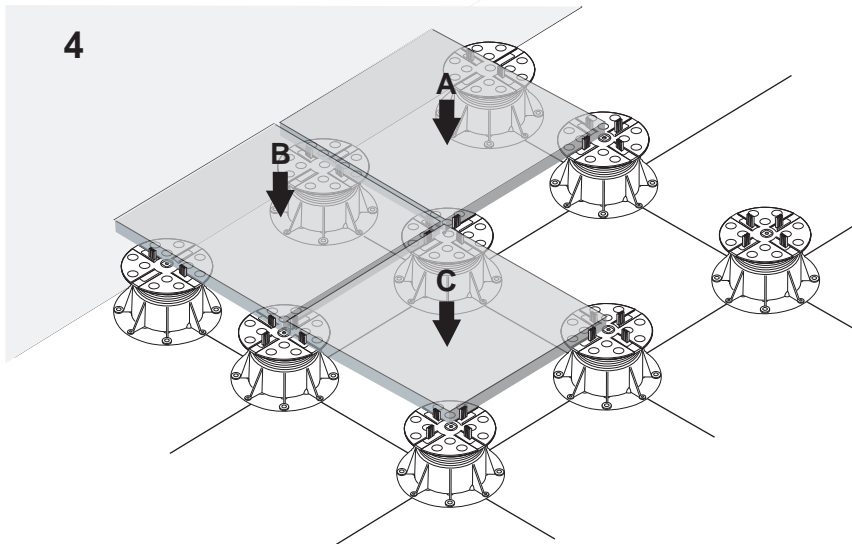
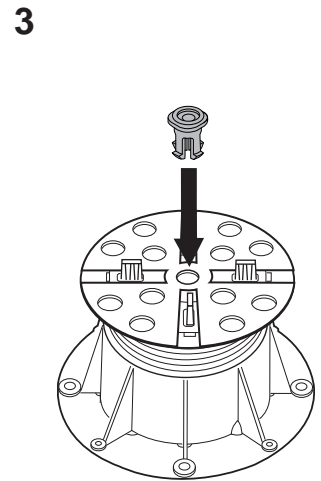
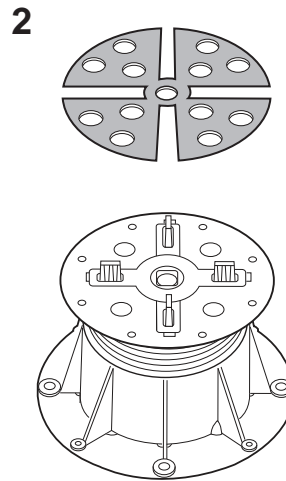
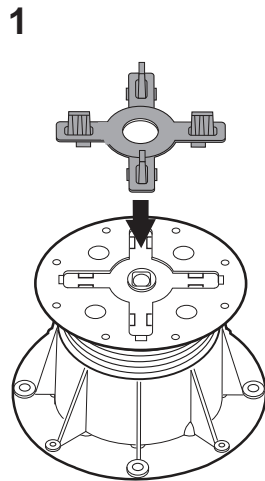
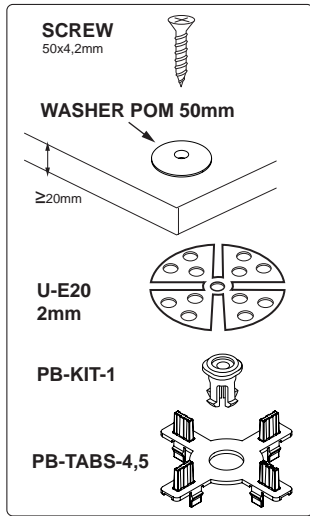
# PB-Serie

Ref. GNO 55 - Rev.01 AIP-PB-KIT-ANTIWIND-WASHER

p.1/2

19/05/2017

©copyright, 2017, BUZON PEDESTAL INTERNATIONAL





PB-KIT-WR

PB-Serie

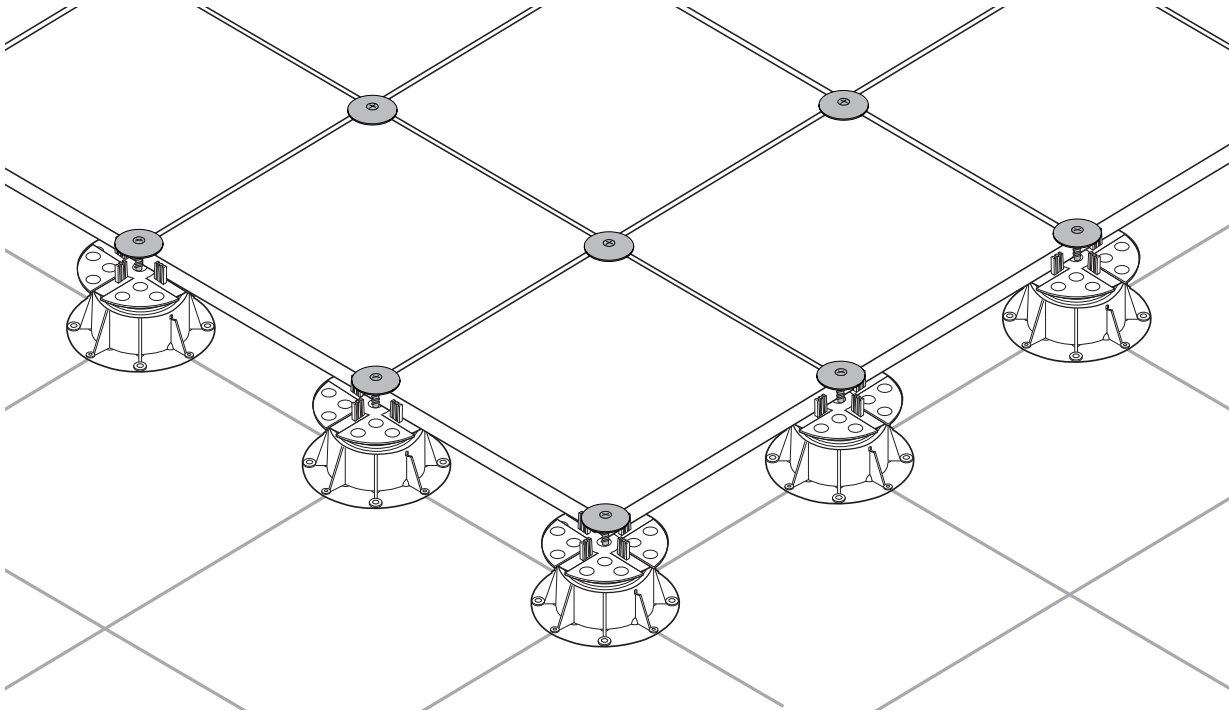
Ref. GNO 55 - Rev.02 AIP-PB-KIT-ANTIWIND-WASHER

p.2/2

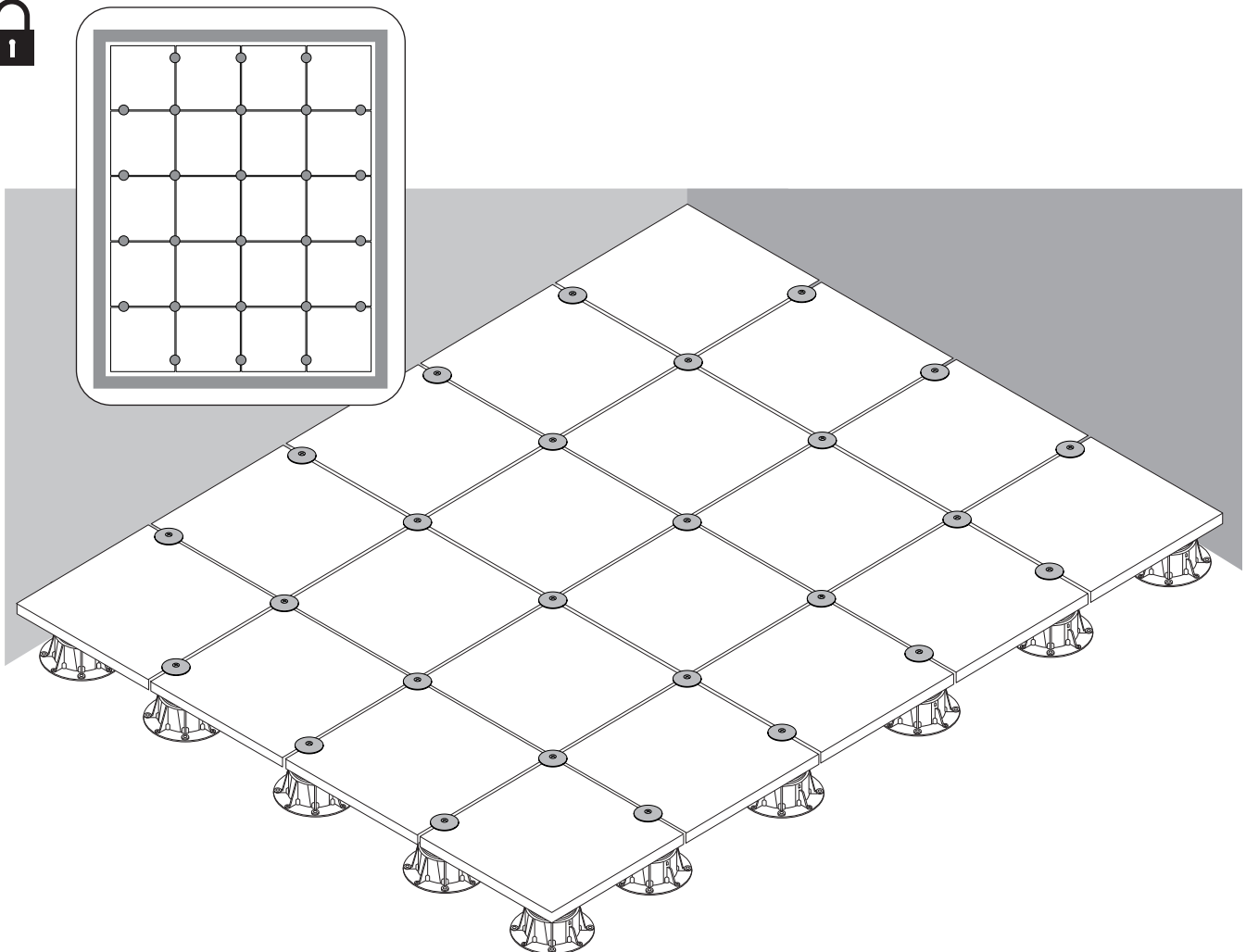
19/05/2017

©copyright, 2017, BUZON PEDESTAL INTERNATIONAL

8



9



# Installation PB-KIT-WR



**BPI-T 05 – REV 04**

**Traction tests PB-KIT-WR**

*Buzon Pedestal International*

## **Objet : Traction tests PB-KIT-WR**

### **1. Introduction**

As part of the creation of a complete range of Wind-Resistant systems, we have studied the accessories and options available to us for the PB series.

### **2. Tested products and results**

1. We have the possibility of using the PB-KIT-1 with the U-Washer-Vis and the U-Washers.

Traction tests have already been carried out, firstly with PB-KIT-1 bonded to the pedestal with 3M Type 8005 glue. The results in this case range from 73 to 110 kg. Secondly, the PB-KIT-1 is not glued and the results oscillate between 57 and 63 KG at the tearing off.

2. We recently re-tested the PB-KIT-1 without glue. These tests show that it is possible that the results is closer to the 44 KG.

**To get the Buzon security value, divide the load indicated by 2.**


*Please find SIRRIS reports page 2-5/5*

Haenen Pierre

### 3. Appendix

#### Tests reports of SIRRIS

1.

 driving industry by technology	
<b>Tests Report</b>	<b>Réf: 4-2382</b>
<b>Company : Buzon</b>	
<b>CONCERNING : Tear Tests on Pedestals</b>	
<hr/>	
<b>Sample type</b>	
<b>Receipt date :</b> 30/11/2015	
<b>Client reference :</b>	Serie BC 2 – Plug Meiser glued wit 3M type 8005 Serie BC 2 – Plug Meiser non glued Serie PB 1 – Plug Vetedy glued with 3M type 8005 Serie PB 1 – Plug Vetedy non glued
<b>Sirris reference :</b> Idem	
<b>Samples conditioning</b>	
	According to the normal laboratory atmosphere: European standard ISO 291 Temperature: 23°C – Humidity: 50%
<b>Analysis</b>	
	Tear Tests on central part of the pedestal
<b>Date des essais</b>	
	2015/12/14
<b>Operator</b>	
	F. Schoumaker
<hr/>	
page 2/5	Buzon 4-2382 Rapport labtaal SI S0251



**Résultats**
**Serie PB 1 - Plug Vetedy**

Mounting with Würth Inox screw screw tightening at 20mm 8 turns


**Serie PB 1 - Plug Vetedy**

Reference	Tests 1 Screwed Load pullout in daN	Tests 2 Screwed Load pullout in daN	Tests 1 Unscrewed Load pullout in daN	Tests 1 Unscrewed Load pullout in daN	Tests 1 Head only Load pullout in daN
Glue SM type 8005	73	82	110	105	77
not glued	57	62	63	60	60



Rupture by tearing of the small stops of the black clip for all tests

Nbr: The test results are only valid for the tested samples

2.



**Machine used for the tear tests : class : 0.5**  
**Instron Corporation interface type : Series 4500**  
**Automatized materials tests system: Series IX 7.34.00**

The 10kN load cell calibration certificate and the crosshead speed and displacement calibration certificates are valid and can be sent on request.

**Tensile/Tear tests**



**Machine parameters**

Machine Instron 4507  
Test speed : 10mm/min

Humidity( %)50  
Temperature : (Deg C) : 23

**Test results without ageing – Reference**

Reference	Tear strength daN	Tear strength N
PB4+PB kit1 + Washer POM	43.98	440